







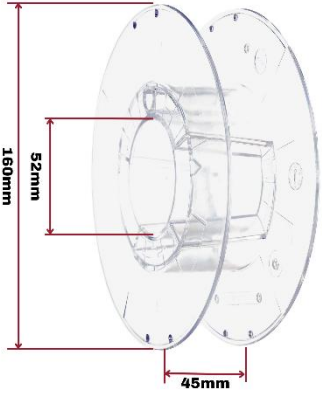
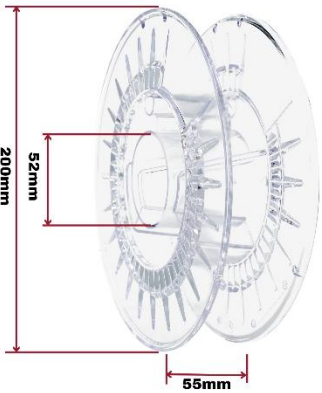

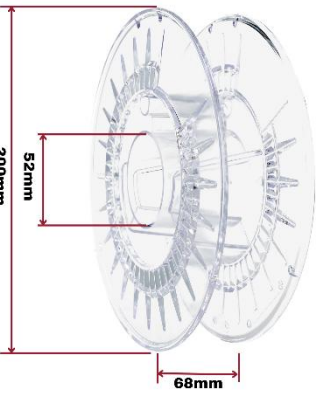


Dimensions of spools and ReFill cardboard cores

Net weight of the filament								
	300/350g	500g (transparent)	500g (cardboard core 44mm + Mastrerspool ROSA3D)	1000g (transparent)	1000g (cardboard core 60mm + Mastrerspool ROSA3D)	2500/3000g	4500g	1000g ReFill (black cardboard core)
Spool diameter [mm]	160	200	200	200	200	300	300	99
Spool width [mm]	45	55	52	68	68	103	103	60
Inner hole diameter [mm]	52	52	52	52	52	52	52	94
Weight [g]	~150	~240	~235	~260	~250	~700	~850	~32
Material	PC	PC	R-PC + papier	PC	R-PC + papier	ABS	ABS	papier
Print colour	Red	Red	Red	Red	Red	Red	Red	Red
Dimensions [mm]	175/164/46	220/210/65	220/210/65	225/210/75	225/210/75	325/310/110	325/310/110	225/210/75

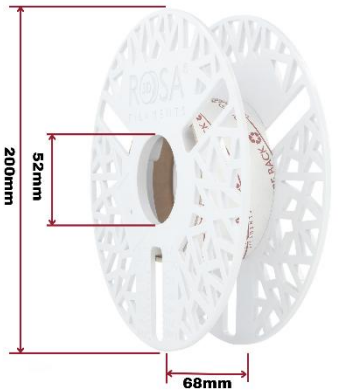
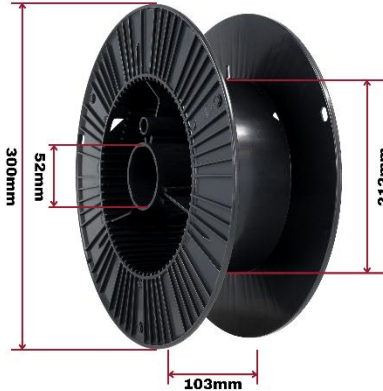
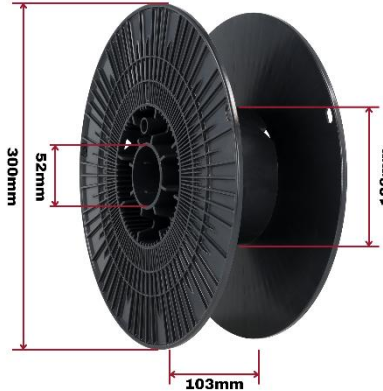
ROSA PLAST Sp. z o.o.

ul. Hipolitowska 102B, 05-074 Hipolitów, Poland
tel.: +48 22 783 62 62, www.rosa3d.pl

300/350g	500g (transparentna)	500g (składana: gilza 44mm + Masterspool ROSA3D)	1000g (transparentna)
 <p>160mm 52mm 45mm</p>	 <p>200mm 52mm 55mm</p>	 <p>200mm 52mm 52mm</p>	 <p>200mm 52mm 68mm</p>

ROSA PLAST Sp. z o.o.

ul. Hipolitowska 102B, 05-074 Hipolitów, Poland
tel.: +48 22 783 62 62, www.rosa3d.pl

<p>1000g (składana: gilza 60mm + Masterspools ROSA3D)</p>	<p>2500/3000g</p>	<p>4500g</p>
 <p>200mm 52mm 68mm</p>	 <p>300mm 52mm 103mm 212mm</p>	 <p>300mm 52mm 103mm 128mm</p>

ROSA PLAST Sp. z o.o.

ul. Hipolitowska 102B, 05-074 Hipolitów, Poland
tel.: +48 22 783 62 62, www.rosa3d.pl